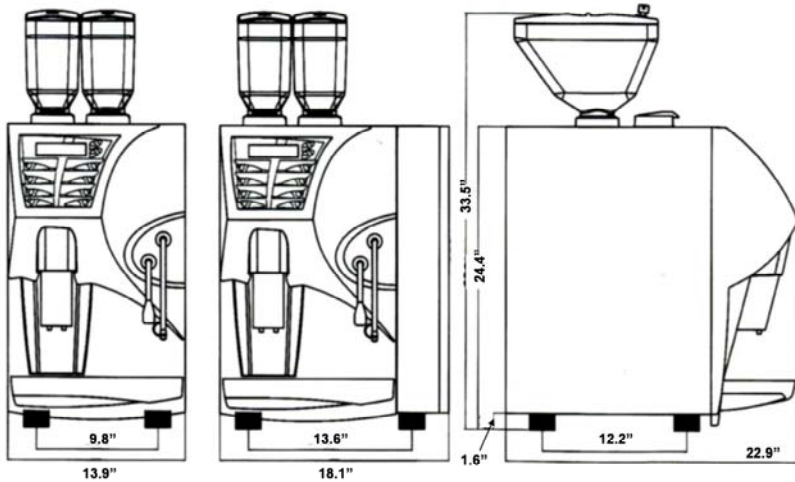


Dimensions & Specifications

SIRIO R

SIRIO S



Model #	Hot Water & Steam Boiler	Coffee Boiler	Hourly Capacity
9720013 SIRIO R2 COF	0.5 Gal / 1.8 L	0.3 Gal / 1.0 L	Espresso: 180 cups Coffee: 120 cups Hot Water: 8 Gal / 30 L
9720014 SIRIO R2 LM (Auto Milk Frother)	0.5 Gal / 1.8 L	0.3 Gal / 1.0 L	Espresso: 180 cups Coffee: 120 cups Cappuccino: 120 cups Hot Water: 8 Gal / 30 L
9720015 SIRIO S2 COF	1.1 Gal / 4.0 L	0.5 Gal / 1.8 L	Espresso: 240 cups Coffee: 180 cups Hot Water: 11 Gal / 40 L
9720016 SIRIO S2 LM (Auto Milk Frother)	1.1 Gal / 4.0 L	0.5 Gal / 1.8 L	Espresso: 240 cups Coffee: 180 cups Cappuccino: 180 cups Hot Water: 11 Gal / 40 L

Model #	Description	Volts	Total Watts	Amps	Cups/ Hour	Dimensions	Ship Wt
9720013	SIRIO R2 COF Super Automatic	230	5580	25	180	33.5"H x 13.9"W x 22.9"D	145 lb.
9720014	SIRIO R2 LM Super Automatic (Auto Milk Frother)	230	5580	25	180	33.5"H x 13.9"W x 22.9"D	145 lb.
9720015	SIRIO S2 COF Super Automatic	230	6480	28	240	33.5"H x 18.1"W x 22.9"D	165 lb.
9720016	SIRIO S2 LM Super Automatic (Auto Milk Frother)	230	6480	28	240	33.5"H x 18.1"W x 22.9"D	165 lb.



SIRIO R



SIRIO S

Approvals

9720013, 9720014,
9720015, 9720016



Refrigerator

Model # 9720002
120 Volt
NSF Listed



Cup Warmer

Model # 9720003
120 Volt
NSF Listed



Accessories:



Milk Frother Cleaner	Cleaning Tablets	7SO Water Softening Cartridge	BH Filter Cartridge	QL3 Filter Head
9700939	9700121	9700111	9700112	9700113
<ul style="list-style-type: none"> Breaks down milk protein buildup Cleans steam wands and s/s pitchers 	<ul style="list-style-type: none"> Cleaning detergent tablets 125 tablets per jar 	<ul style="list-style-type: none"> Reduces hardness in water that can cause mineral build-up in equipment. 	<ul style="list-style-type: none"> Provides clear, fresh premium quality water for consistently great tasting beverages. 	<ul style="list-style-type: none"> Commercial quality filter head for use with 7SO and BH cartridges. Includes built-in water shut off valve.