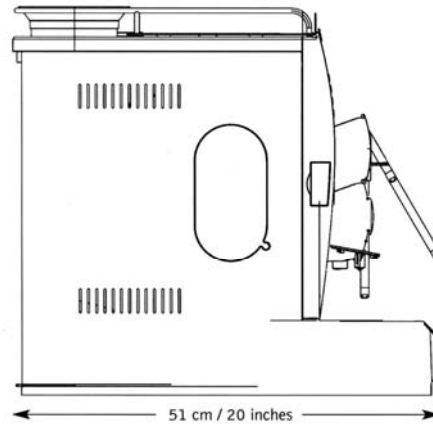
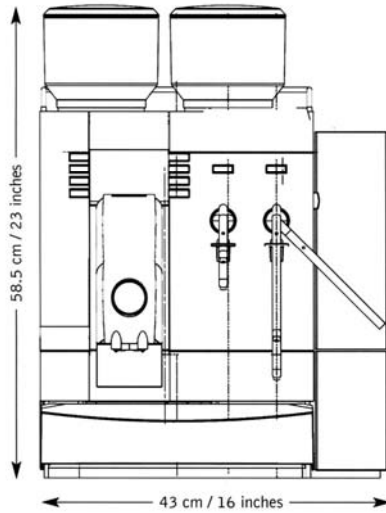


# Dimensions & Specifications



Model #	Description	Volts	Total Watts	Amps	Cups/Day	Dimensions	Ship Wt
9413213	JURA Impressa X9 Super Automatic	208-240	2600	15	100	23"H x 16"W x 20"D	55 lb.

*Note: Impressa Water Connection Kit sold separately*

## Approvals



## Milk Cooler

Model # 9700041  
 Holds 1 one gallon milk container  
 120Vac  
 NSF Listed



## Accessories:



Milk Frother Cleaner 9700939	Cleaning Tablets 9462535	Decalcifying Tablets 9462688	Water Connection Kit 9462513	BH Filter Cartridge 9700112
<ul style="list-style-type: none"> <li>Breaks down milk protein buildup</li> <li>Cleans steam wands and s/s pitchers</li> </ul>	<ul style="list-style-type: none"> <li>Cleaning tablets</li> <li>25 tablets per jar</li> </ul>	<ul style="list-style-type: none"> <li>Prevents lime scale buildup</li> <li>30 tablets</li> </ul>	<ul style="list-style-type: none"> <li>Connects the X9 to water line to automatically fill tank</li> </ul>	<ul style="list-style-type: none"> <li>Eliminate bad tastes &amp; odors from water</li> </ul>